

D

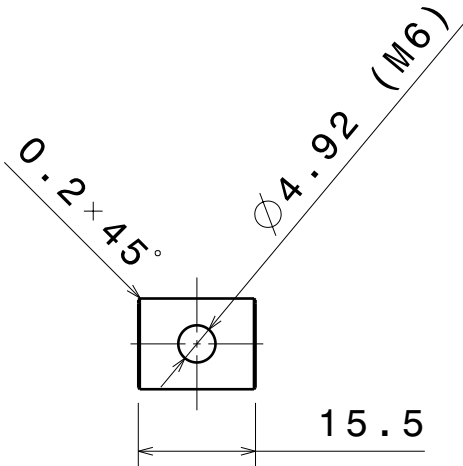
C

B

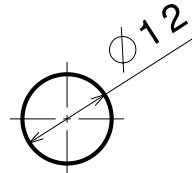
A

4

4



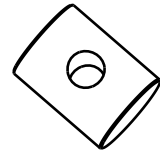
Front view
Scale: 1:1



Left view
Scale: 1:1

3

3



Isometric view
Scale: 1:1

2

2

Non-commercial use permitted.
(www.foil-fever.com)

Steel Insert

DRAWN BY
Christian D.

DATE
10/01/2020

Material
Stainless Steel

CHECKED BY
-

DATE

SIZE
A4

DRAWING NUMBER
insert

REV
v1

DESIGNED BY

DATE

SCALE

1:1

WEIGHT(g)

SHEET

1/1

D

A

1

1