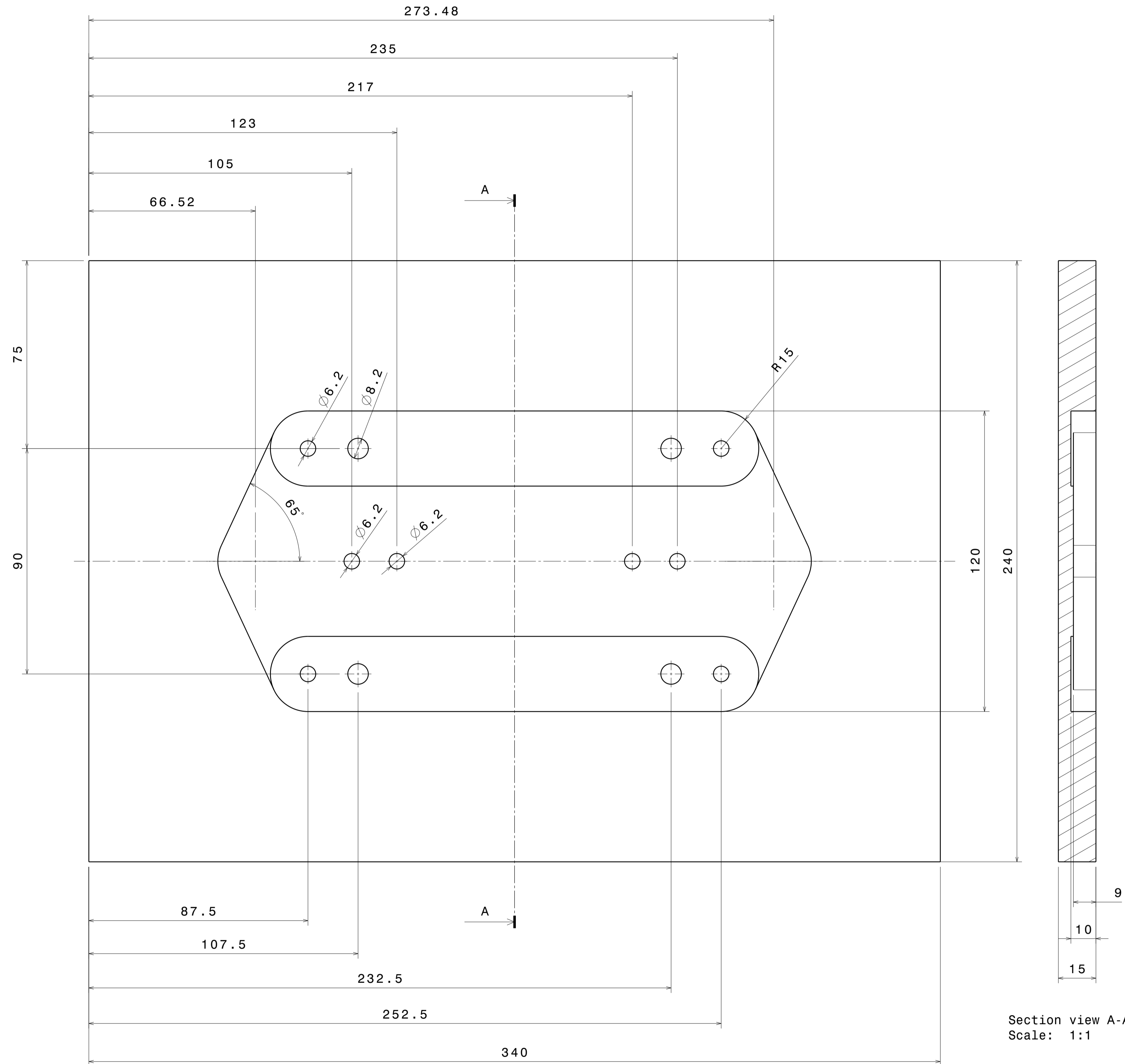
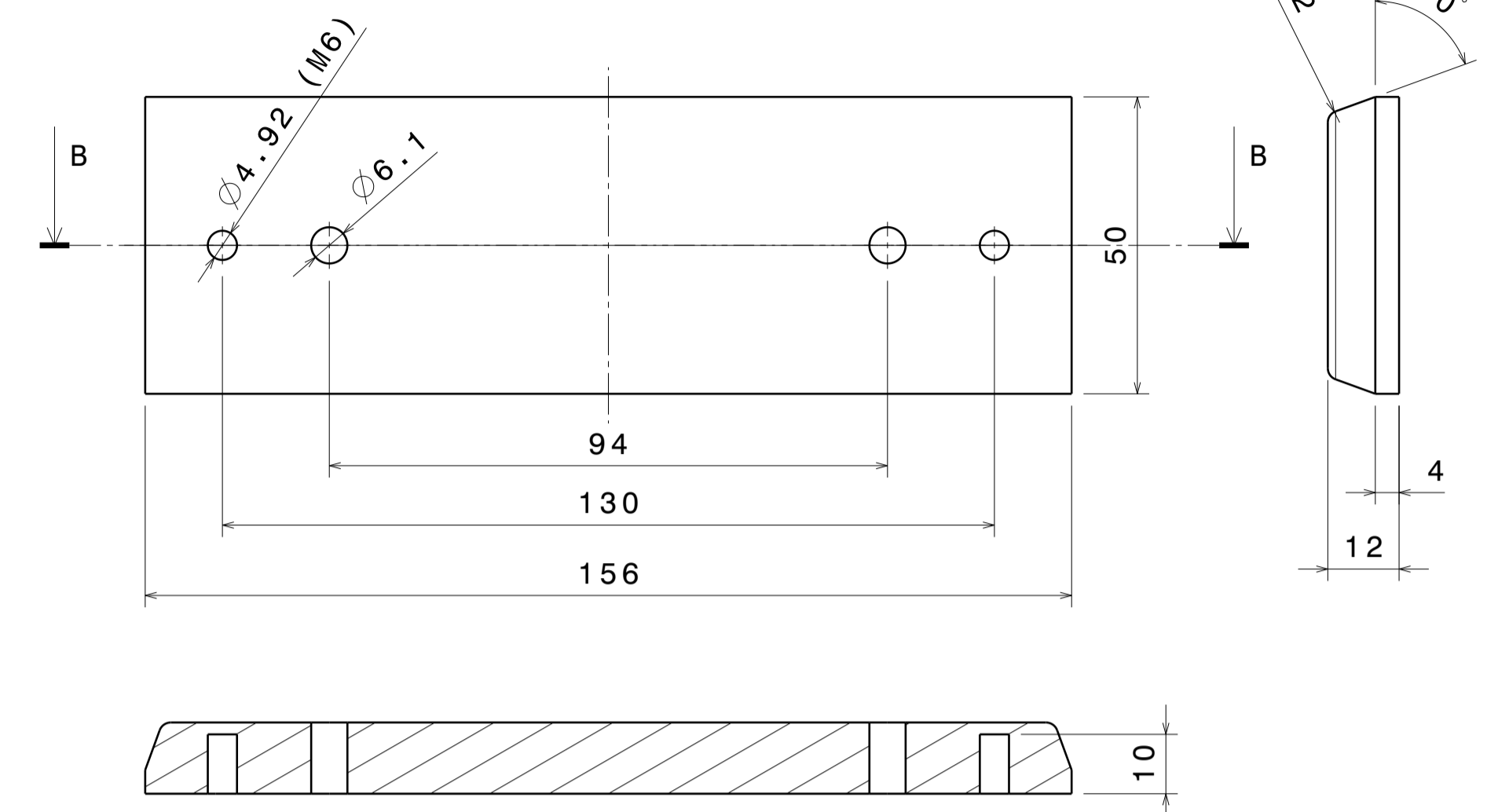


# (1) Main Mold



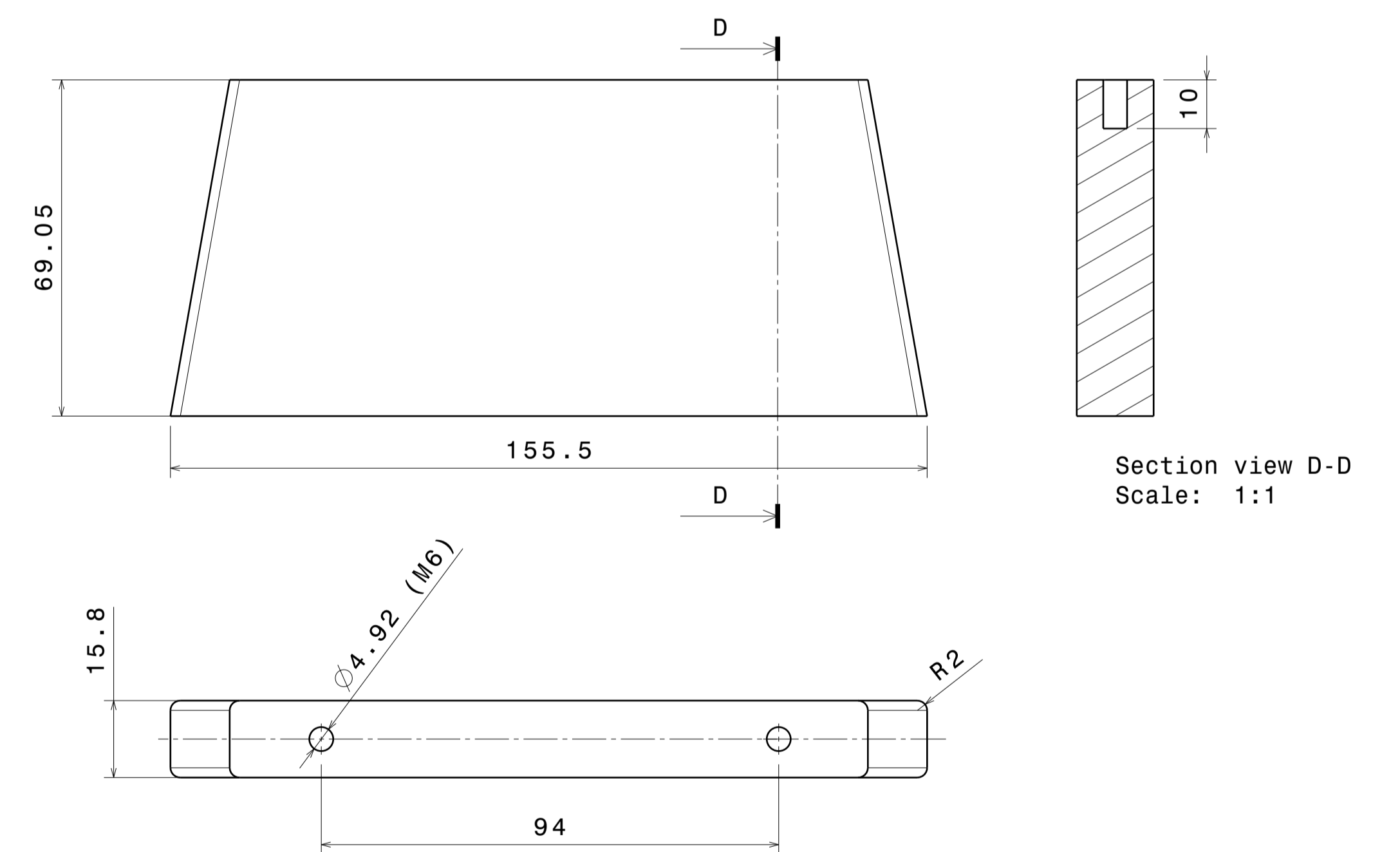
Section view A-A  
Scale: 1:1

# (2) Spacer Plate



Section view B-B  
Scale: 1:1

# (3) Deep Tuttle Head Positive



Section view D-D  
Scale: 1:1

Non-commercial use permitted. (www.foil-fever.com)		Adapter Mold Parts		
DRAWN BY Christian D.	DATE 06/03/2020	Material(s) 2024 Aluminium		
CHECKED BY	DATE	SIZE A1	DRAWING NUMBER adapter mold parts	REV v1
DESIGNED BY	DATE	SCALE 1:1	WEIGHT(kg)	SHEET 1/1